



Tripoint (AS980) is a heavy duty Finger Post System using the 16mm Modular extrusions as projecting arms. It's components are milled to enable a option of Single, Double and Triple directional single level arm assembly.

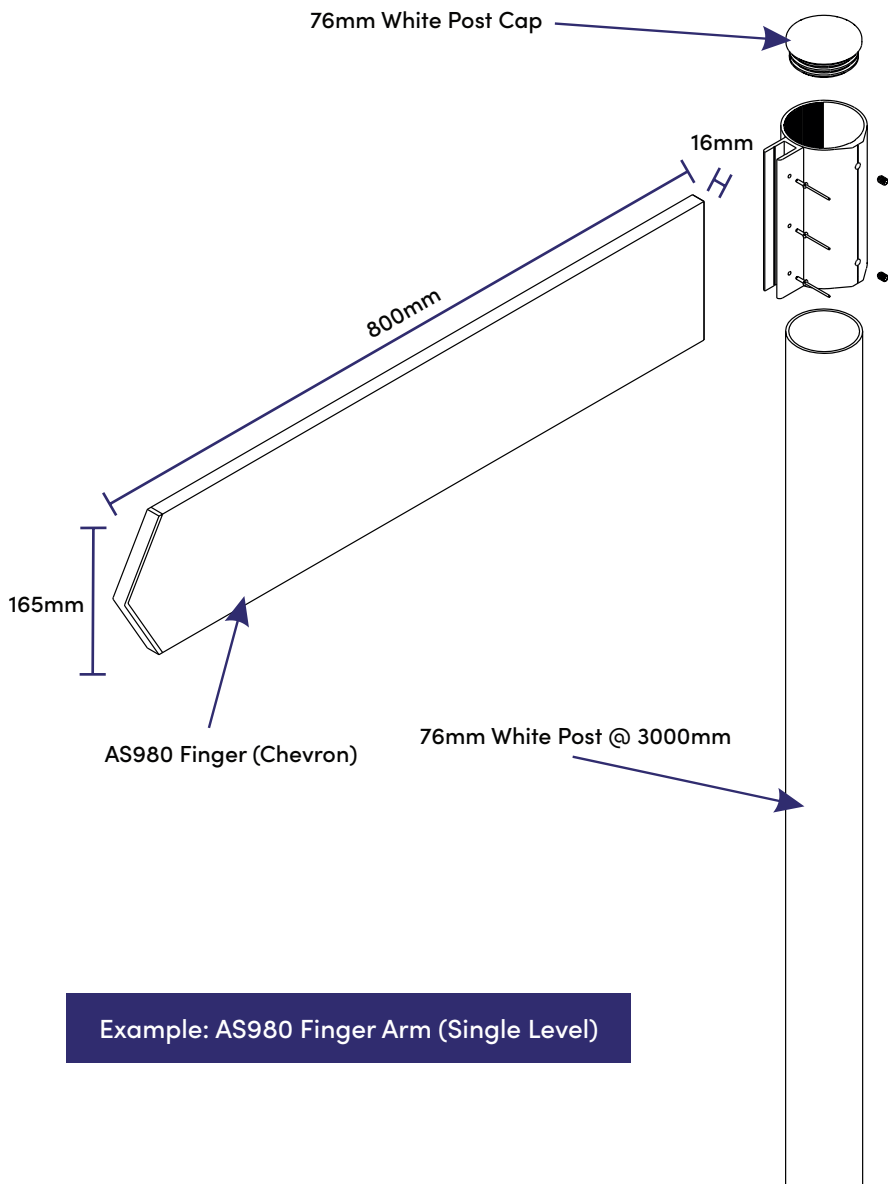
TRIpoint Single Level

KEY INFORMATION

- Standard Finger dimensions; 800 x 165 x 16mm (770x 165mm face to view)
- Manufactured for 16mm thick Modular extrusion
- Suited for use with 76mm post section only
- Single, Double, Triple fingers per level
- Four standard finger shapes; chevron, flat end, rounded, slanted



No. of Levels	Shape	Finish
Single	Chevron	Mill
Single	Chevron	White
Single	Chevron	Powder Coated
Single	Flat End	Mill
Single	Flat End	White
Single	Flat End	Powder Coated
Single	Rounded	Mill
Single	Rounded	White
Single	Rounded	Powder Coated
Single	Slanted	Mill
Single	Slanted	White
Single	Slanted	Powder Coated



STANDARD FINGER SHAPES OPTIONS

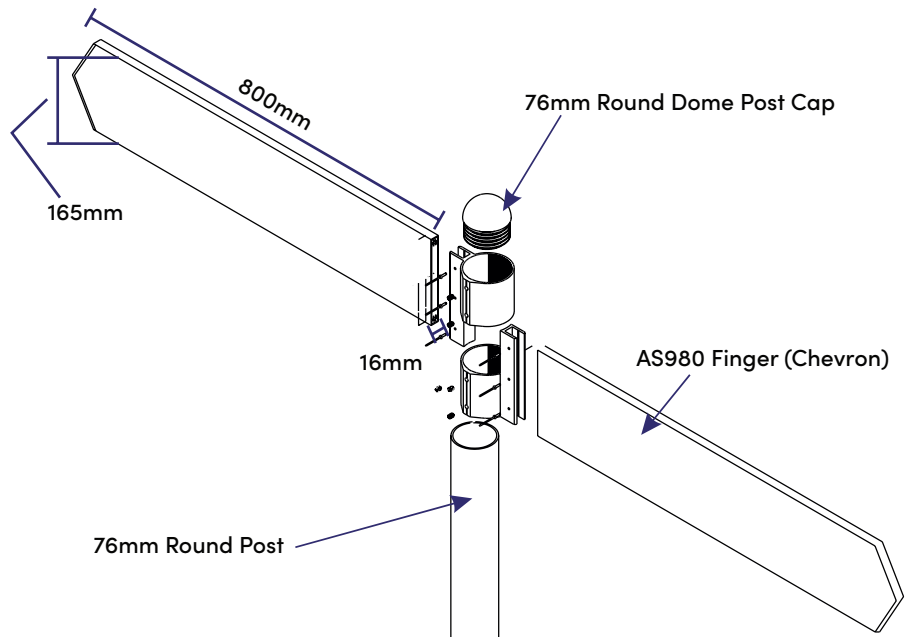
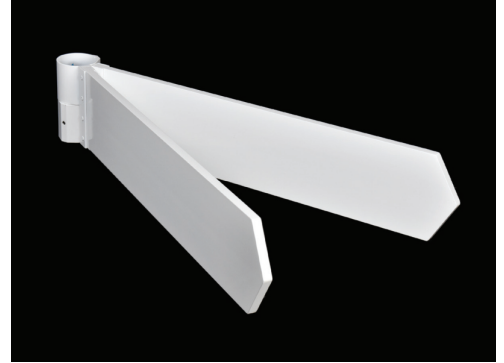


Example: AS980 Finger Arm (Single Level)



TRiPoint Double Level

No. of Levels	Shape	Finish
Double	Chevron	Mill
Double	Chevron	White
Double	Chevron	Powder Coated
Double	Flat End	Mill
Double	Flat End	White
Double	Flat End	Powder Coated
Double	Rounded	Mill
Double	Rounded	White
Double	Rounded	Powder Coated
Double	Slanted	Mill
Double	Slanted	White
Double	Slanted	Powder Coated

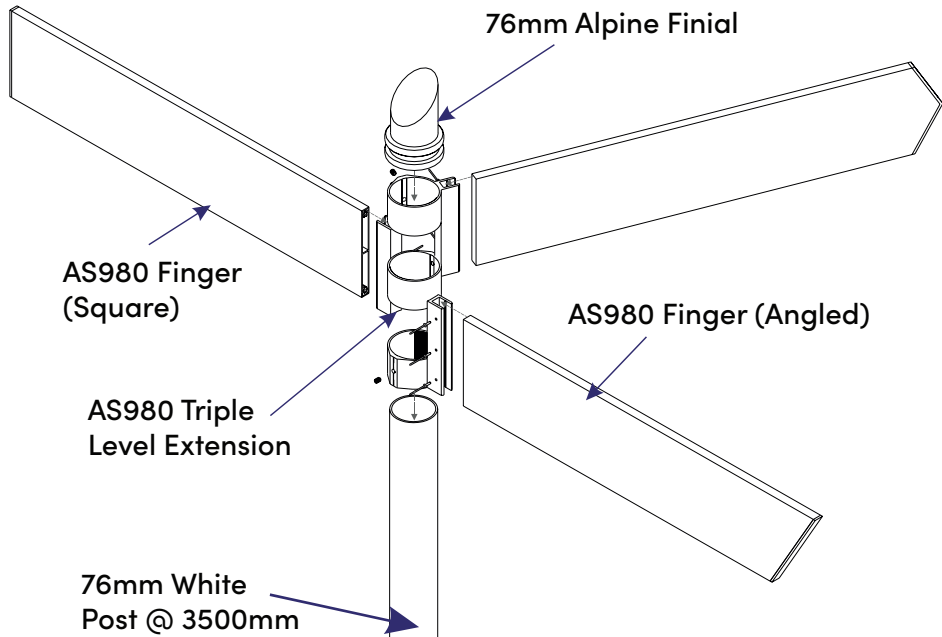
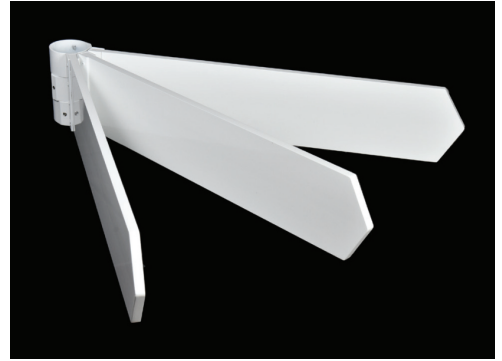


Example: AS980 Finger Arm (Double Level)



TRiPoint Double Level

No. of Levels	Shape	Finish
Triple	Chevron	Mill
Triple	Chevron	White
Triple	Chevron	Powder Coated
Triple	Flat End	Mill
Triple	Flat End	White
Triple	Flat End	Powder Coated
Triple	Rounded	Mill
Triple	Rounded	White
Triple	Rounded	Powder Coated
Triple	Slanted	Mill
Triple	Slanted	White
Triple	Slanted	Powder Coated



Example: AS980 Finger Arm (Triple Level)

Road regulations specify minimum mounting height of 2100mm over pedestrian footpaths and 2300mm over cycle lanes.

