

Octapoint

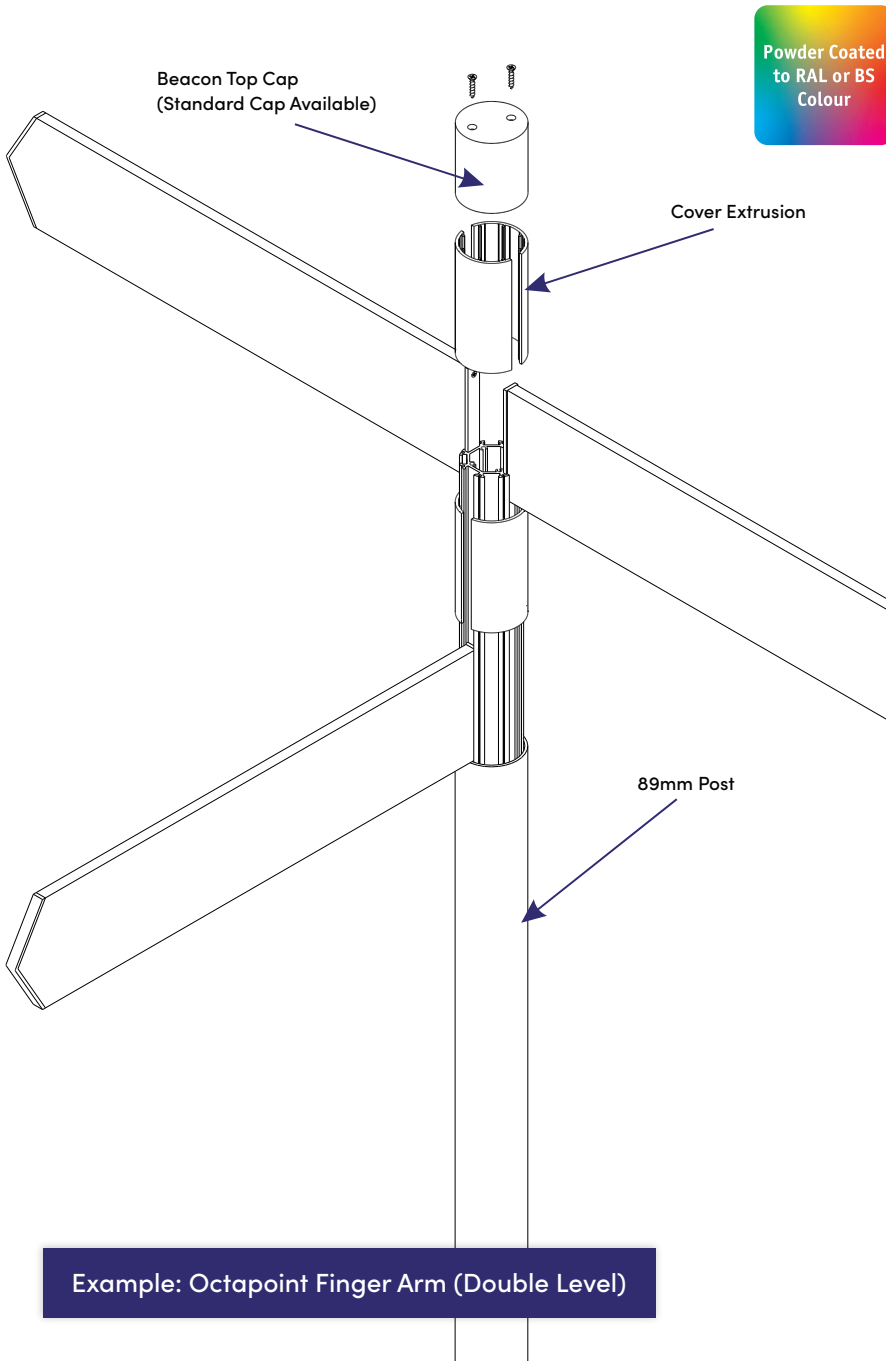
Octapoint Finger post System is our new premium system with no visible fixings using the same 16mm modular extrusion that is used on the Tripoint system (As980). Octapoint can hold up to 8 Finger arms per level & is a multi level system. Places where there isn't a finger arm uses a cover plate.

OCTApoint Multi Level

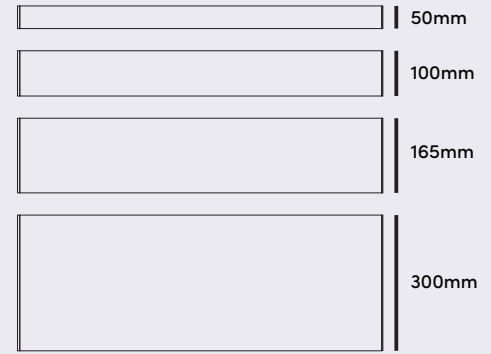
KEY INFORMATION

- Standard Finger Face to view dimensions; 790 x 165 x 16mm
- Easy Installation (Slot into inner extrusion)
- Suited for use with 89mm post section only
- Up to 8 finger arms per level
- Four standard finger shapes; chevron, flat end, rounded, slanted.

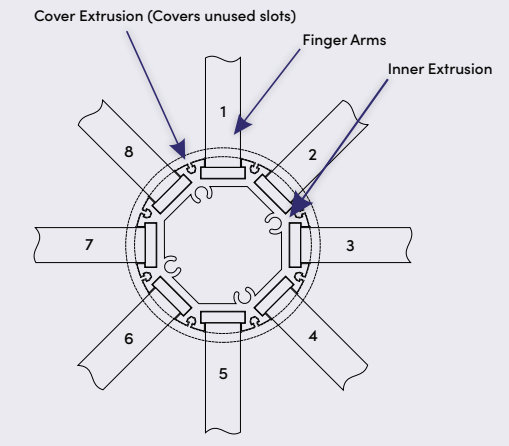
No. of Levels	Shape	Finish
Multi	Chevron	Powder Coated
Multi	Flat End	Powder Coated
Multi	Rounded	Powder Coated
Multi	Slanted	Powder Coated



FINGER HEIGHT AVAILABLE



FINGER ARM DIRECTION OPTIONS PER LEVEL



STANDARD FINGER SHAPES OPTIONS

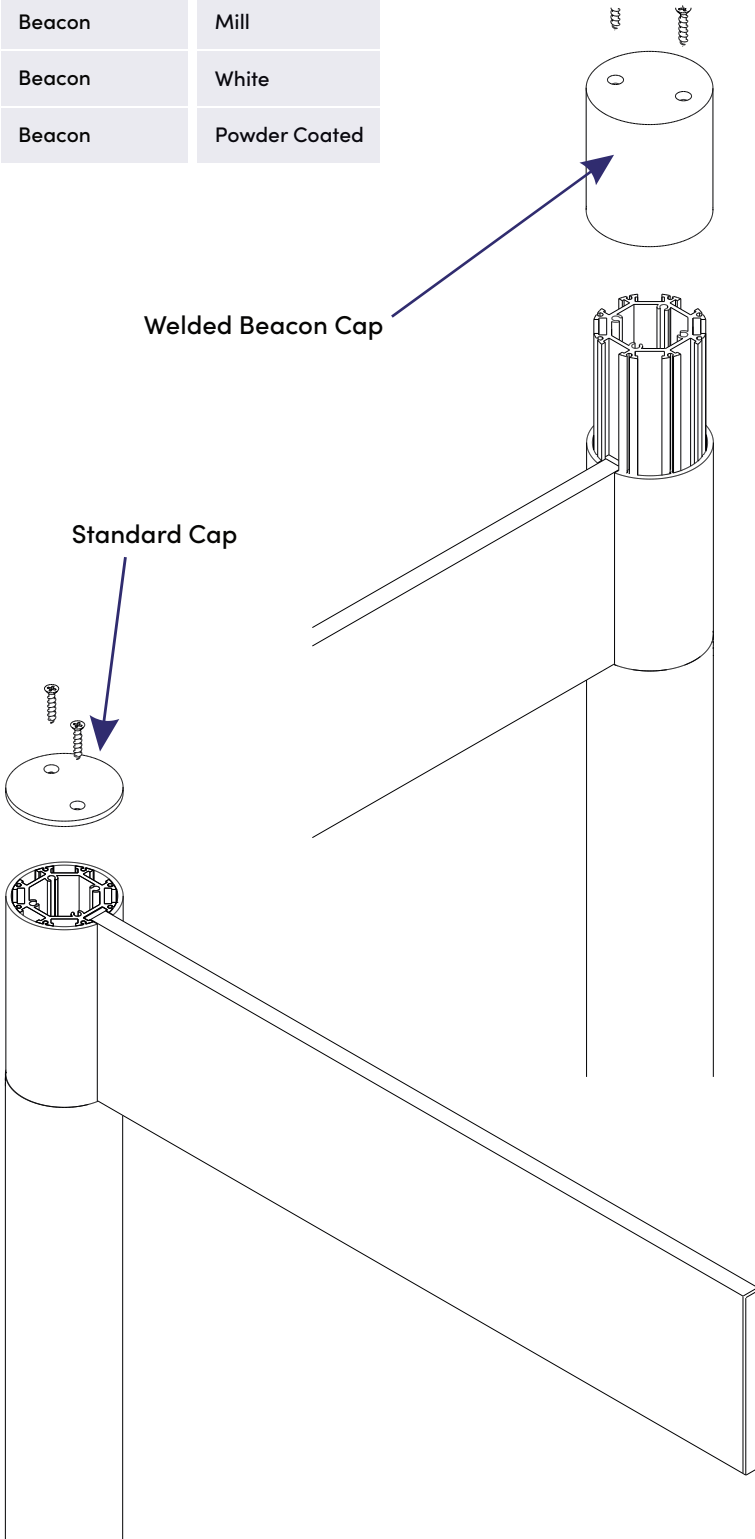


Example: Octapoint Finger Arm (Double Level)

Octapoint

OCTApoint Cap Options

Cap	Finish
Standard	Mill
Standard	White
Standard	Powder Coated
Beacon	Mill
Beacon	White
Beacon	Powder Coated



Road regulations specify minimum mounting height of 2100mm over pedestrian footpaths and 2300mm over cycle lanes.

