

Sign Trays Installation Guide

apostrophe
the accent on taste

Step-by-Step Guide

Installation Process:

Step A

- Measure the inside height (X) of the sign tray to determine what height the fixing rails should be installed.

Step B

- Using a level, fit the top rail to the wall or surface in the position/height you require. This is where the top of the sign will be.
- To fit the rail:
 - Place the rail in the required position.
 - When level, drill pilot holes through the rail, this will mark the hole locations onto the fitting surface.
 - Remove the rail and then drill holes into the fitting surface that are the relevant size for the screws. If wall plugs are required, place them in after.

Step C

- Using the (X) measurement, fit the bottom rail to the wall. Ensure the top (North-most flat surface) of the top rail and the bottom (South-most flat surface) of the bottom rail are the elements that create the (X) measurement.
- Repeat rail fitting points of Step B to fit bottom rail.

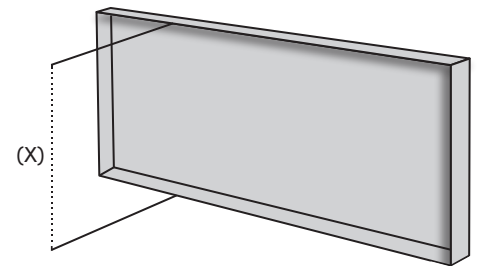
Step D

- Place the sign tray in position on the rails, it should fit snug where it touches the rails.

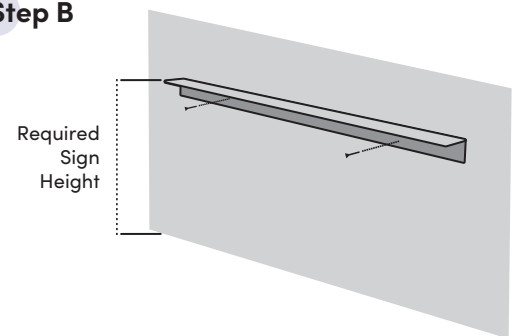
Step E

- Decide where the screws that fix the sign tray to the rails will be located, evenly spaced is ideal.
- Drill a pilot hole (hole smaller than the screws being used) in the determined location through the return of the sign tray and the rail, creating an aligned hole through both.
- Using self-taping screws, secure the sign tray to the rails through the pilot hole. (Repeat for all the screws).

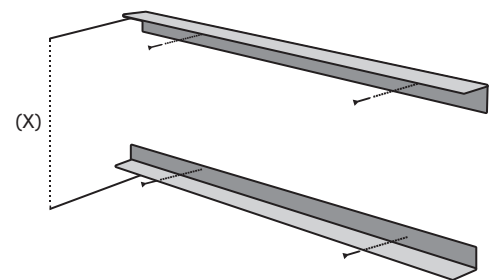
Step A



Step B



Step C



Step E

